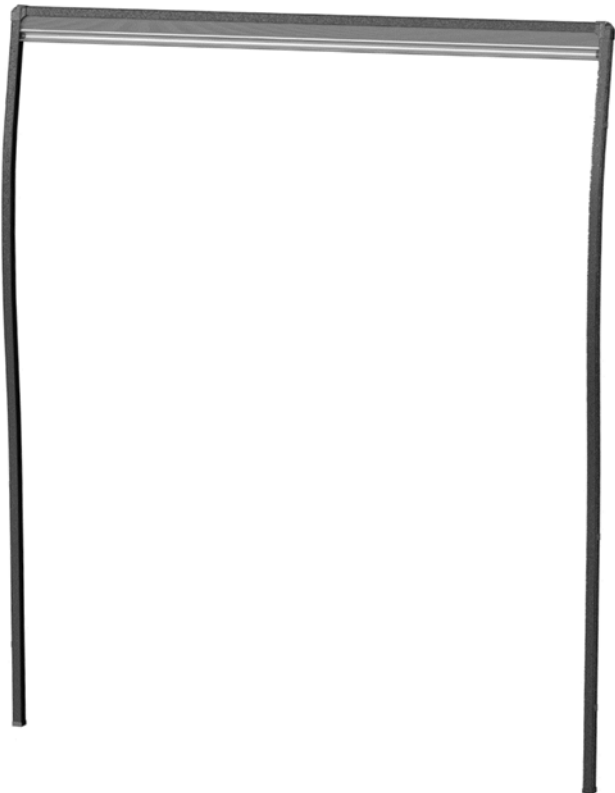


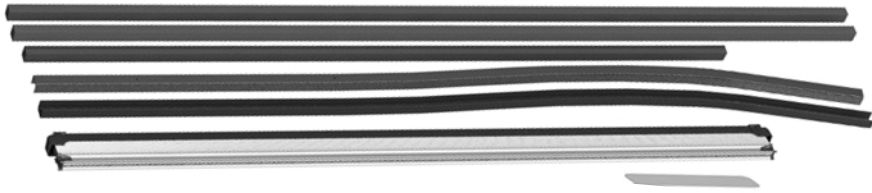


DRIVING CHANGE

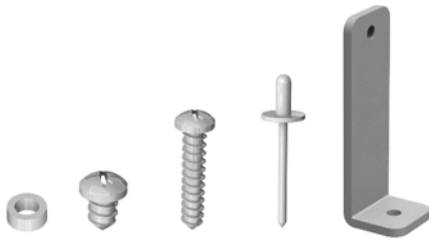
Installation manual Rear Screen



Contents



- Top profiel
- Side profiles
- Top foam strip
- Lock cover plate
- 2x Side foam strips
- 6x Mounting clips
- 6x Spacer rings
- 6x Rivets
- 8x Screw 3 x 20mm (Type 1)
- 2x Screw 3,5 x 6x5mm (Type 2)

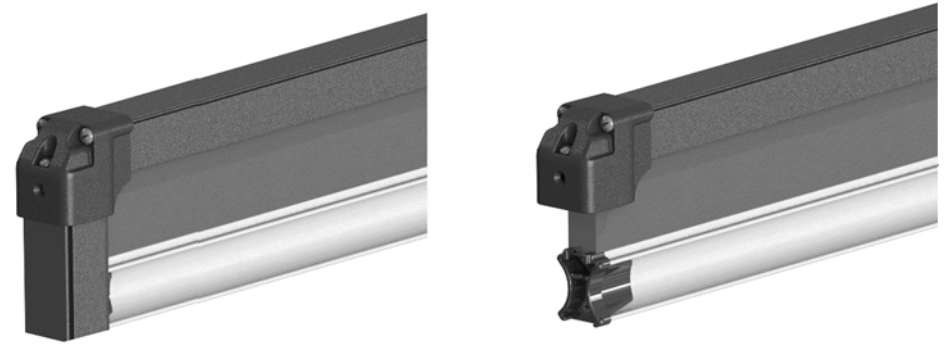


Necessities

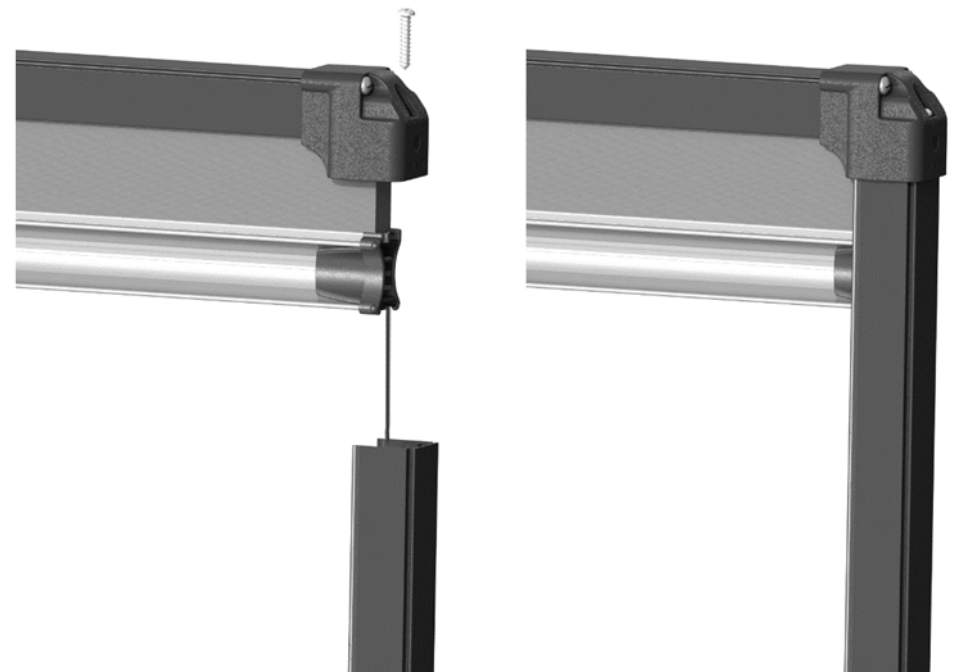
- Drill 2,5 & 3mm
- Scissors
- Screwdriver (PH2)
- Rivet tool
- Allen key 2,5mm

Warning: This product may only be installed by a professional.
Horrex BV is not liable for damage caused by the assembly of this product.

- 1 Attach the side profiles to the corner pieces with 2 screws.



- 2 Attach the bended side profiles to the corner pieces with a type 1 screw. By doing this the cords are put under tension.





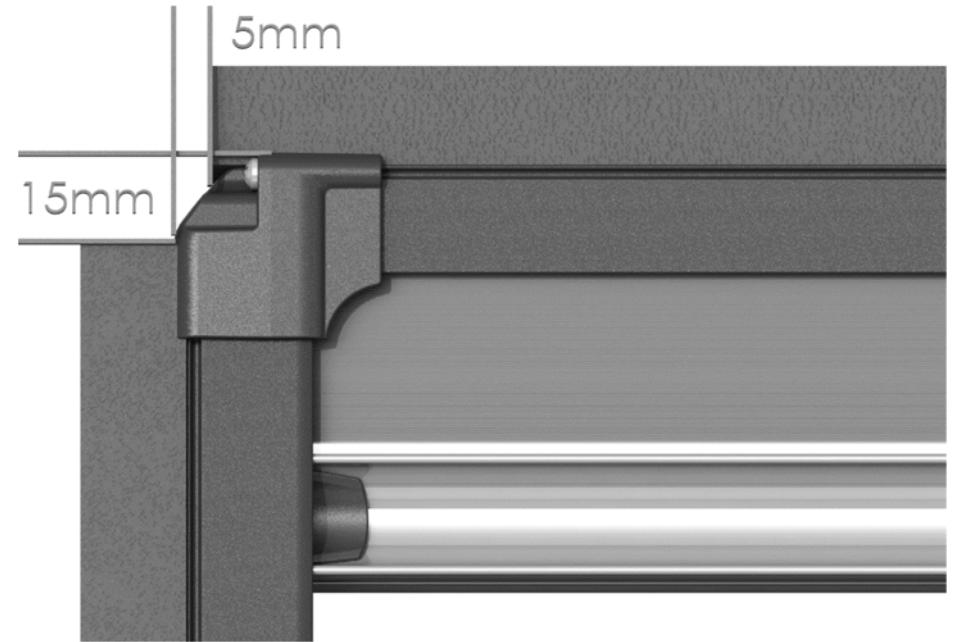
- 3 Make sure the pullbar and mesh package are inside the side profiles. Also make sure the cords run through the bended profiles.



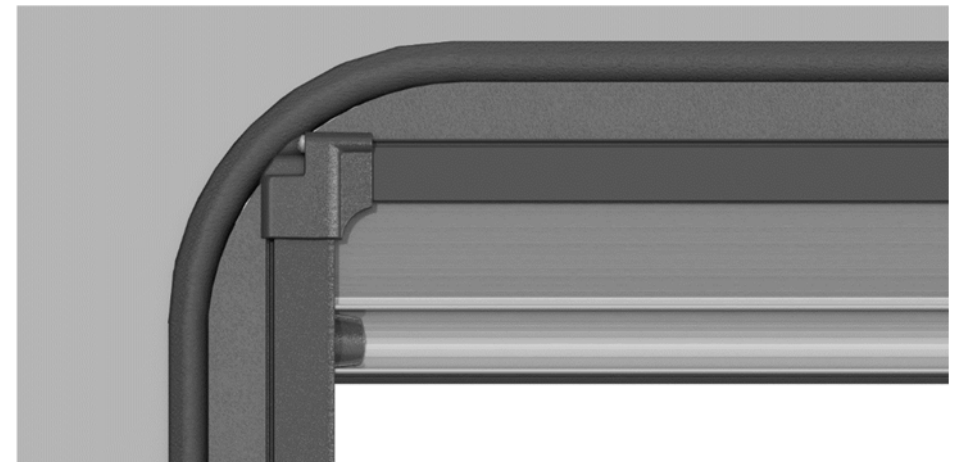
- 4 Attach six clips to the side profiles using pop rivets.



- 5 place the 2 long foam pieces on the side profiles and the short piece on the top profile then cut them to the right lengths.

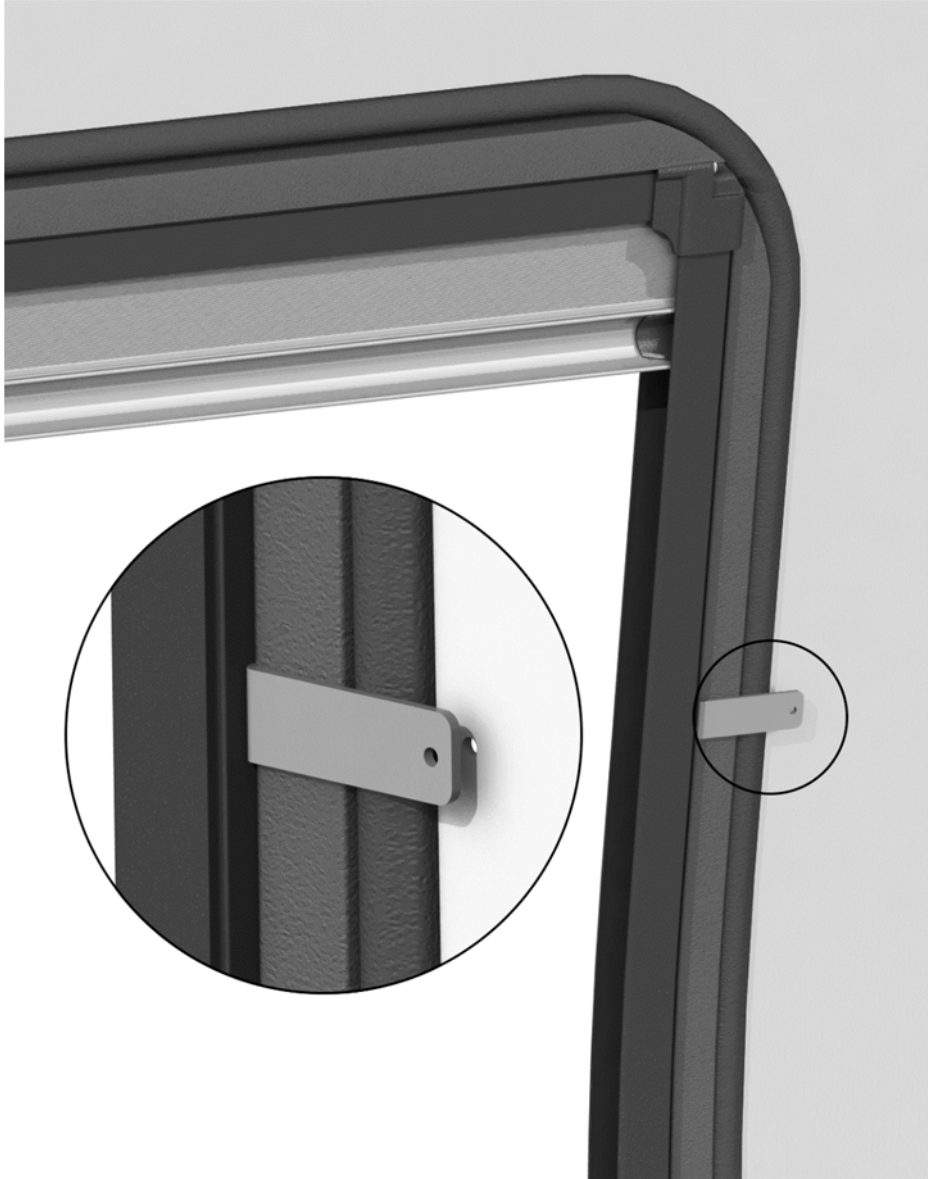


- 6 Place the door in the van and check if the foam hits the seal





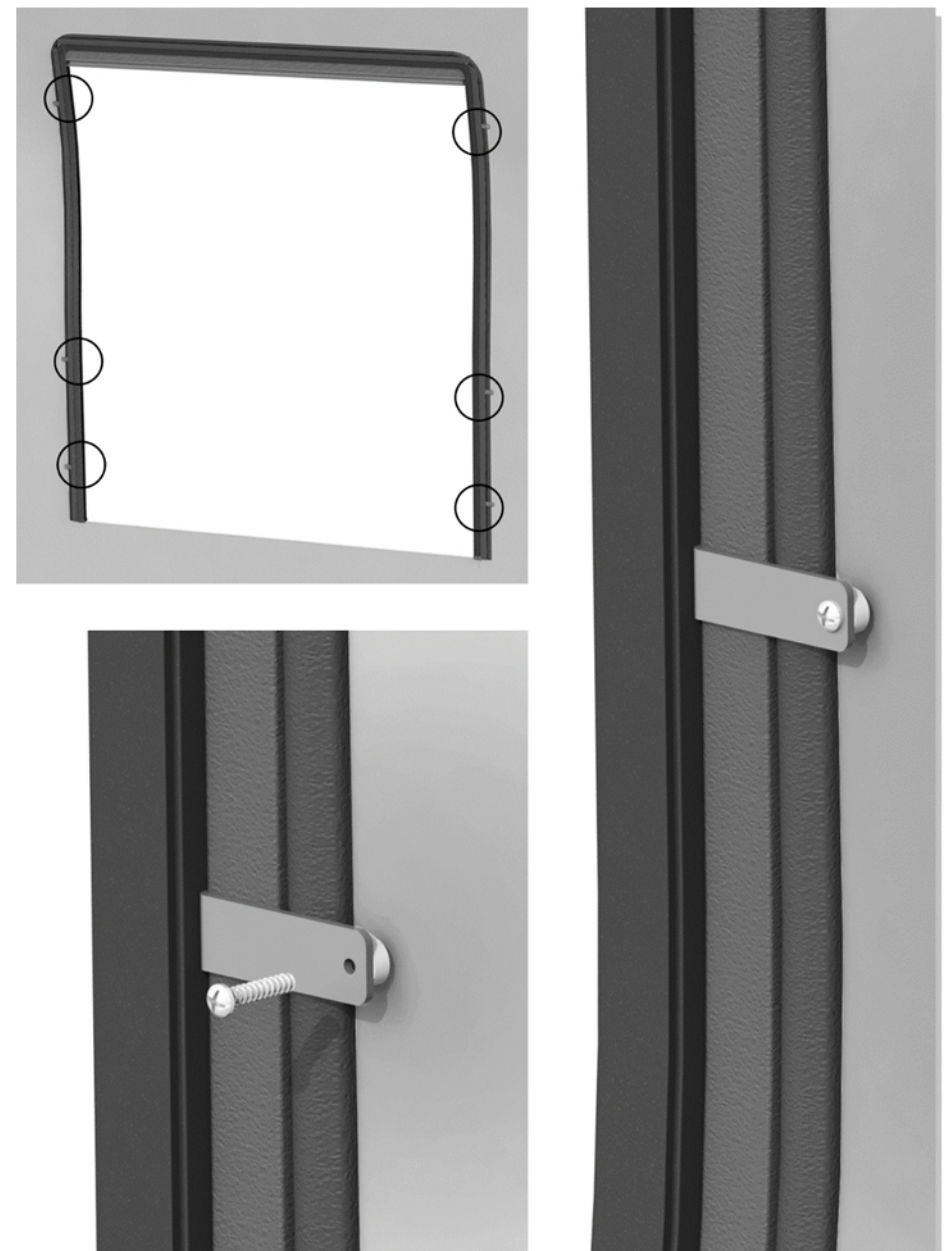
- 7 Make sure the bottom of the bended profiles is standing on the bodywork and the clips are oriented as shown. Drill six 2,5mm holes in the body of the van.



7



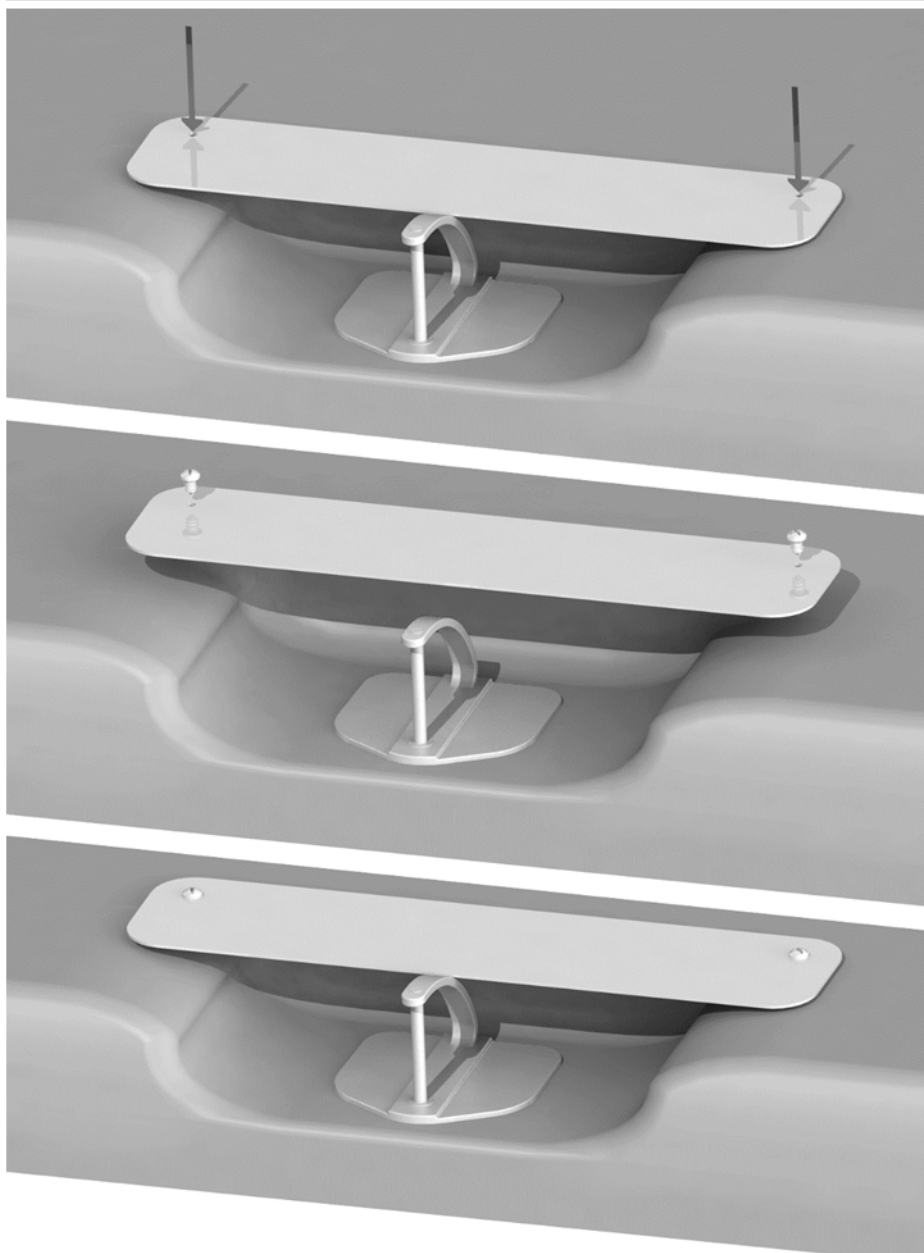
- 8 Secure the Rear Screen to the van using 6 type 1 screws and spacer rings.



8



- 9 Drill two 3mm holes and secure the lock cover to the van using 2 type 2 screws.



- 10 Make sure the pullbar is orientated horizontally.

When the pullbar is hanging too low at the left side, increase the cord tension at the right side and decrease the cord tension at the left side.

When the pullbar is hanging too low at the right side, increase the cord tension at the left side and decrease the cord tension at the right side.

Make sure the pullbar does not slide downwards when it is not being operated.

When the pullbar moves by itself, increase the cord tension on both the left and the right side.

Increase tension by sliding the cordtensioner up
Decrease tension by sliding the cordtensioner down

